

demiTM next



nuna[®]

Designed
around your life

nuna®

IMPORTANT!
KEEP THESE
INSTRUCTIONS FOR
FUTURE REFERENCE:
READ CAREFULLY

Contents

Product Information	3
Warranty	
Contact	
Child Usage Requirements	4
Warnings	5
Parts List	11
Product Setup	13
Product Use	19
Seating Options	27
Accessories	29
DEMI next Stroller/Sibling Seat	29
Seat & Bassinet Post Adaptors	31
Infant Carrier Post Adaptors	33
DEMI next Rider Board	37
DEMI next Stroller/Sibling Seat Rain Cover	41
Cleaning and Maintenance	43

Product Information

Model Number: _____

Manufactured Date: _____

The model number and the manufactured date are located on a label on the stroller frame.

Warranty

Our goods come with guarantees that cannot be excluded under the Australian Consumer Law. You are entitled to a replacement or refund for a major failure and compensation for any other reasonably foreseeable loss or damage. You are also entitled to have the goods repaired or replaced if the goods fail to be of acceptable quality and the failure does not amount to a major failure.

We have purposely designed our high-quality products so that they can grow with both your child and your family. Because we stand by our product, our gear is covered by a custom warranty per product, starting from the day it was purchased. Please have the proof of purchase, model number and manufactured in date available when you contact us.

For warranty information please visit:
www.nunababy.com

Contact

For replacement parts, service, or additional warranty questions, please contact our customer service department.

Distributed by Allison AU Pty. Ltd.

ACN: 642 240 140

Unit 1, 35 Lyn Parade Prestons, NSW Australia 2170

For after-sales & warranty service, contact:

1800 951 070

customerservice@allisonau.com.au

Child Usage Requirements

This stroller is suitable for use with children who meet the following requirements:

Weight: up to 22.7 kg maximum

When using the stroller frame with bassinet or infant carrier, refer to the child usage requirements listed in those instruction manuals.

DEMI next Bassinet

Weight: up to 9 kg maximum

KLIK plus Infant carrier

Weight: up to 13 kg maximum

This rider board is suitable for use with children who can stand and hold themselves without assistance and meet the following requirements:

Maximum Weight Limit: 20kg

WARNING

FOLLOW THE MANUFACTURER'S INSTRUCTIONS.

PUT ON ALL THE BRAKES WHENEVER YOU PARK THE STROLLER.

DO NOT LEAVE CHILDREN UNATTENDED.

ALWAYS KEEP CHILD IN VIEW WHILE IN STROLLER

SECURE THE CHILD IN THE HARNESS AT ALL TIMES.

DO NOT USE THE SEAT WITH ANY OTHER MODELS OF STROLLER.

MAKE SURE CHILDREN ARE CLEAR OF ANY MOVING PARTS IF YOU ADJUST THE STROLLER. OTHERWISE THEY MAY BE INJURED.

TO AVOID SERIOUS INJURY FROM FALLING OR SLIDING OUT, ALWAYS USE SEAT BELT.

USE THE TETHER STRAP TO STOP THE STROLLER ROLLING AWAY.

DO NOT USE THIS BASSINET ONCE THE CHILD CAN SIT UP UNAIDED.

DO NOT USE FOR UNSUPERVISED SLEEPING.

USE THE PROVIDED HARNESS AT ALL TIMES.

Magnetic Harness Buckle: The buckle and buckle clips contain magnets. If your child has a medical condition that prohibits the use of magnets near the child, do not use the stroller. Contact Nuna to discuss a solution.

Be mindful of the possible interaction of magnets in buckles and certain electronic devices.

Ensure that all the locking devices are engaged before use.

Do not let your child play with this product.

Never leave the harness buckled when not fitted to a child in the stroller because the harness can form loops which may pose a strangulation hazard.

The use of accessories not approved by the vehicle manufacturer is unsafe.

Adult assembly required.

Overloading this stroller will cause excessive wear, and stress on the stroller, and could create an unstable condition. Use the stroller with only one child in each seat/bassinet/board.

To prevent a hazardous, unstable condition, do not place more than 15 kg in the storage basket before use. **DO NOT CARRY EXTRA CHILDREN OR BAGS ON THIS STROLLER.**

To prevent a hazardous, unstable condition, do not place more than 0.45 kg in the storage pocket on the back of the seat.

Overloading, folding incorrectly, or using component parts from other manufacturers may cause the stroller to be damaged, broken or unsafe. Please read the instruction manual carefully.

Please read all the instructions in the manual before using the product. Please save instruction manual for future use. Failure to follow these warnings and instructions may result in serious injury or death.

Safety belts and restraint system must be used correctly.

Child may slip into leg openings and be strangled if the harness is not used.

Never use stroller on stairs or escalators.

The stroller is not to be used near an open fire or exposed flame.

Never allow your child to stand on the stroller or sit in the stroller with head toward front of stroller.

Never place the stroller on roads or dangerous area.

The vehicle is designed for use on flat or gently sloping surfaces and may be unstable on higher sloping and uneven surfaces, resulting in the possibility of the vehicle tipping over.

Do make sure all parts are assembled and fastened properly before using the stroller.

To avoid strangulation, do not place items with a string around your child's neck, suspend strings from this product, or attach strings to toys.

To prevent tipping, do not put anything on the handle. Always lift the child in and out of the stroller.

Do not lift stroller while child is in stroller.

Do not use storage basket as a child carrier.

To prevent tipping, never let child climb the stroller.

To avoid finger entrapment or injury to the body, use care when folding and unfolding the stroller.

Be sure the stroller is fully open or folded before allowing child near the stroller.

Check that the infant child restraint attachment device is correctly engaged before use.

To avoid strangulation, do make sure your child is clear from the canopy.

Discontinue using your stroller if it is damaged or broken.

Stroller to be used only at walking speed. This product is not intended for use while jogging.

To avoid suffocation, remove plastic bag and packaging materials before using this product. The plastic bag and packaging materials should then be kept away from babies and children.

This product is not suitable for running or skating.

Stroller designed to be used from birth shall recommend the use of the most reclined position for new born babies.

The parking device must be engaged when placing and removing children.

Please ensure that the storage latch has been properly locked, before lifting or moving the vehicle.

The vehicle is not to be used as an unsupervised sleeping environment.

The brakes must always be applied when the stroller is not moving.

Canopy should be assembled onto the frame when the seat is in the most reclined position.

RIDER BOARD

NEVER LEAVE THE CHILD UNATTENDED.

STROLLER CAN TIP IF CHILD ATTEMPTS TO HANG FROM STROLLER HANDLE.

FOR USE WITH DEMI NEXT STROLLER ONLY.

MAXIMUM WEIGHT LIMIT: 20KG.

INTENDED FOR USE WITH ONLY ONE CHILD AT A TIME.

ALWAYS KEEP YOUR HANDS ON THE STROLLER WHEN YOUR CHILD IS STANDING ON THE DEMI NEXT RIDER BOARD.

MAKE SURE THAT YOUR CHILD IS ALWAYS STANDING WITH BOTH FEET ON THE ANTI-SLIP PROTION OF THE DEMI NEXT RIDER BOARD AND HOLDING ONTO THE HANDLE BAR TO AVOID ANY POSSIBLE INJURY DURING USE.

BEFORE EACH USE, CHECK DEMI NEXT RIDER BOARD ATTACHMENT TO STROLLER BY LIFTING UP DEMI NEXT RIDER BOARD AND CHECKING HINGES.

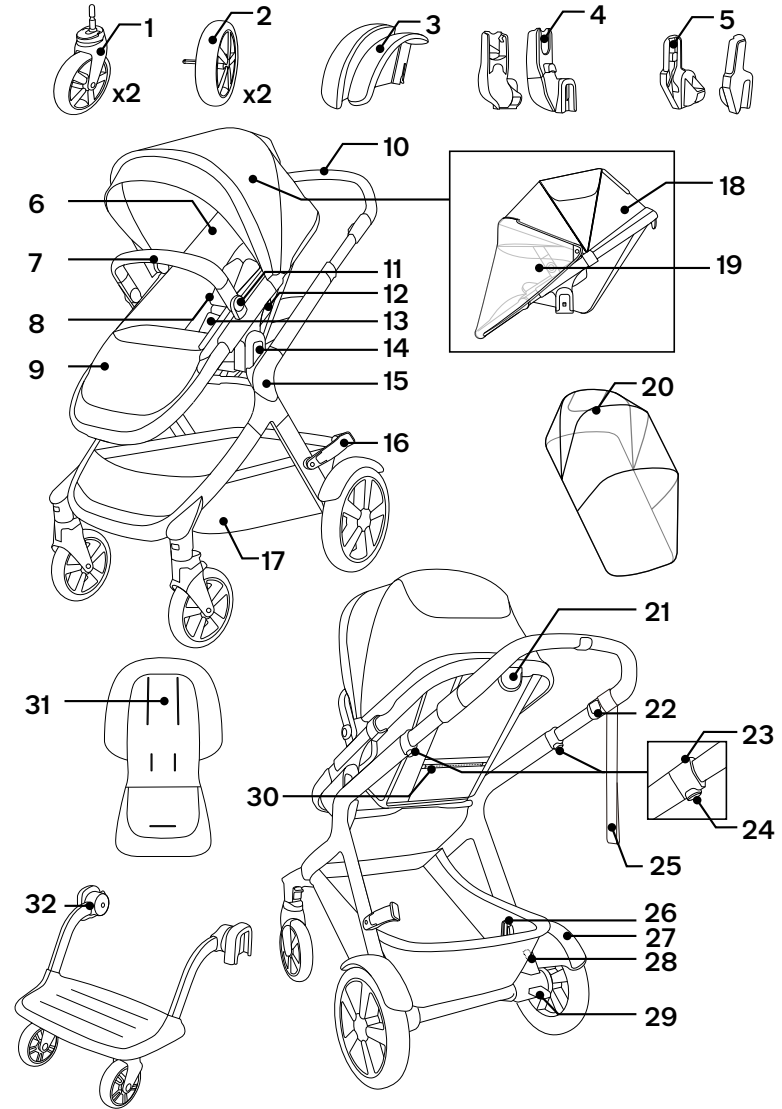
DO NOT USE IF ANY PART OF THE DEMI NEXT RIDER BOARD IS LOOSE, MISSING OR BROKEN.

Parts List

Make sure all parts are available before assembly.
If any part is missing, please contact NUNA. No tools are required for assembly.

! **Choking Hazard:** Remove and immediately discard protective end caps from each wheel and wheel hub axle.

- | | |
|---------------------------------|--|
| 1 Front Wheel (x2) | 18 Canopy |
| 2 Rear Wheel (x2) | 19 Airy Mesh Drape |
| 3 Rear Fender | 20 Rain Cover |
| 4 Infant Carrier Post Adapters | 21 Recline Adjustment Button |
| 5 Seat & Bassinet Post Adaptors | 22 Handle Adjustment Button |
| 6 Seat Pad | 23 Folding Button |
| 7 Arm Bar | 24 Secondary Lock |
| 8 Shoulder Harness Pads | 25 Tether Strap |
| 9 Calf Support | 26 Lower Seat Mount |
| 10 Stroller Handle | 27 Rear Fender |
| 11 Arm Bar Adjustment Button | 28 Custom Dual Suspension™ Adjustment Lever (x2) |
| 12 Seat Release Button | 29 Brake Lever |
| 13 Buckle and Crotch Cover | 30 Storage Pocket |
| 14 Upper Seat Mount | 31 Insert |
| 15 Stroller Frame | 32 Rider Board |
| 16 Storage Latch | |
| 17 Storage Basket | |



Product Setup

Open Stroller

- 1 - Separate the storage latch from the storage mount.
- 2 - Then, rotate the stroller handle up.
- 3 - A “click” sound means the stroller frame is open completely.
 - ! Check the stroller frame is completely latched open before continuing.

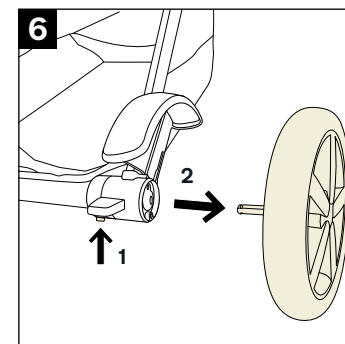
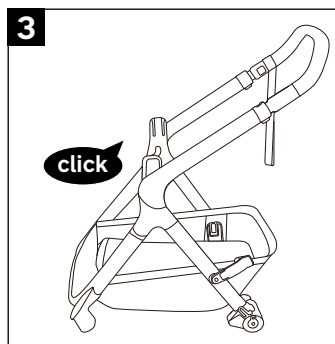
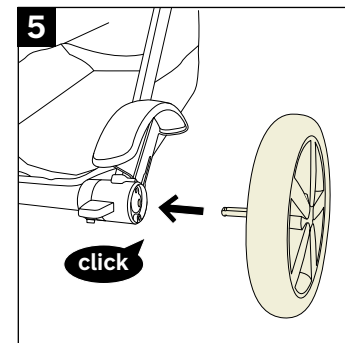
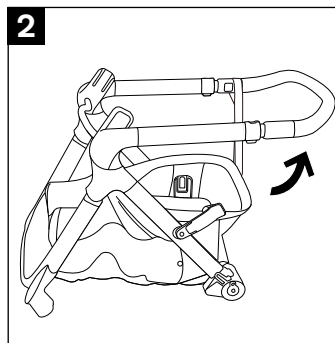
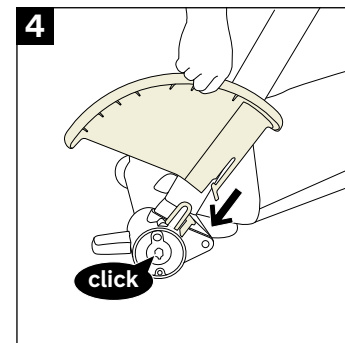
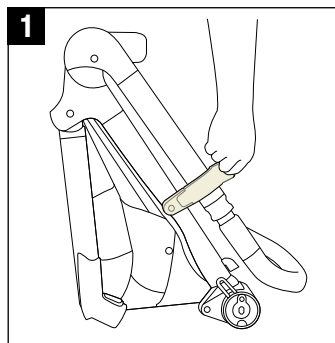
Rear Fenders

Attach the rear fenders for twin and double modes.

- 4 - Insert the rear fender into the rear leg. A “click” sound means the fender is assembled completely.
 - ! Check the fender is securely attached by pulling up. Repeat on opposite side.

Rear Wheels

- 5 - Insert the rear wheel into the rear leg. A “click” sound means the rear wheel is assembled completely.
- 6 - To remove the rear wheel, press the release button (1) and detach the rear wheel from the rear leg (2).

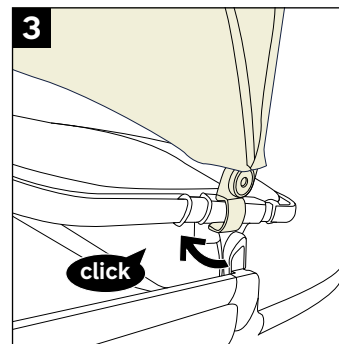
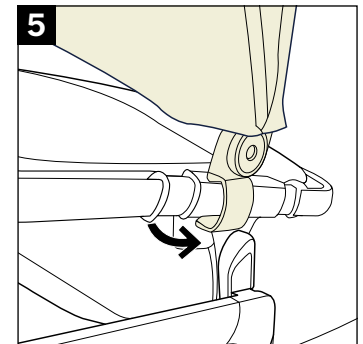
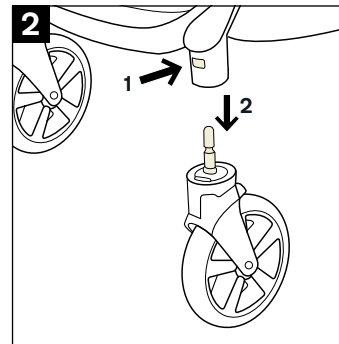
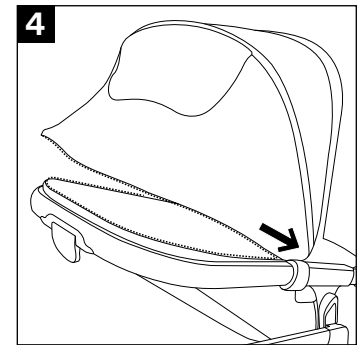
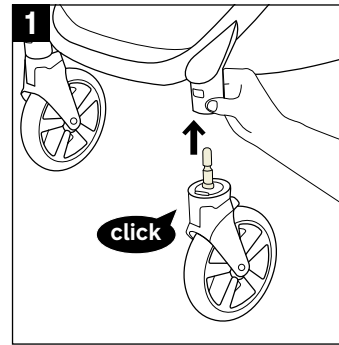


Front Wheels

- 1 - Insert the front wheel into the front leg. A “click” sound means the wheel is assembled completely.
- 2 - To remove the front wheel, press the release button (1) and detach the front wheel from the front leg (2).

Canopy

- 3 - Clip the canopy mount onto the stroller on each side.
 - 4 - Zip the canopy to the stroller.
 - 5 - To remove the canopy, open the zippers, then remove the canopy mounts.
- ! When the seat is in the most reclined position, always ensure the canopy is correctly attached.



Arm Bar

- 1 - Align the arm bar ends with the arm bar mounts, and insert until it clicks into place. A “click” sound means the arm bar is assembled completely.
- 2 - To remove the arm bar, press the arm bar release buttons (1) located under seat pad, and remove the arm bar (2).
- 3 - For a more compact fold, press the armband adjustment buttons (1) and rotate the armband down (2) until it clicks into place.

! Only use the down/stored position for folding. **NEVER** use this position with child in stroller.

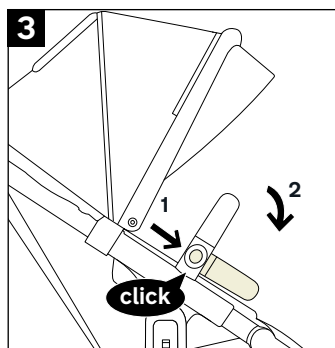
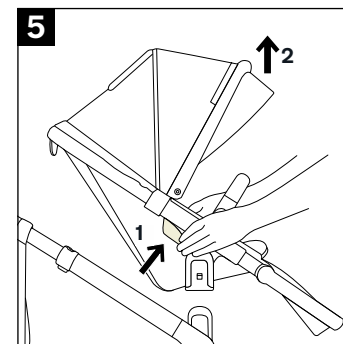
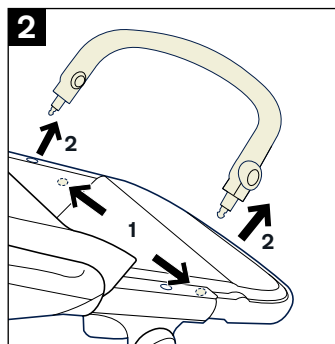
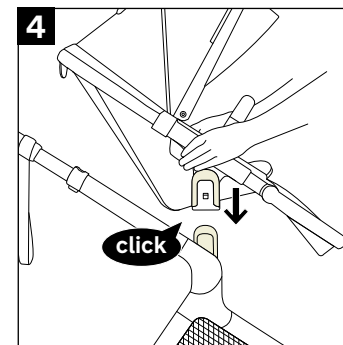
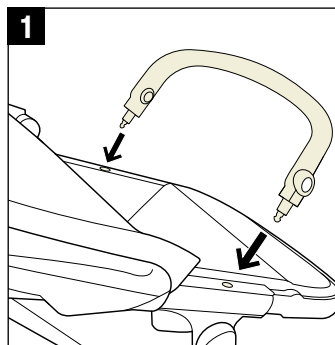
Stroller/Sibling seat

The stroller/sibling seat can be attached rear or forward facing.

- 4 - Align the sides of the stroller/sibling seat with the seat mounts. Place the stroller/sibling seat directly down until it clicks into place. A “click” sound means the stroller/sibling seat is assembled completely.
- 5 - To remove the stroller/sibling seat, squeeze the seat release buttons and lift the stroller/sibling seat up.

Check Setup

- Stroller frame is latched open
- Rear and front wheels are securely attached
- Canopy mount is attached to stroller frame and canopy is zipped to seat pad
- stroller/sibling seat is securely attached
- Rear fenders are securely attached for twin/double mode



Product Use

! The parking brake **MUST** be engaged when the stroller is stopped and when placing and removing child.

Securing Your Child

- 1 - Press the button, the buckle will release automatically. Remove the clips and place your child in the stroller.
- 2 - Match the waist belt buckle with the shoulder buckle.
- 3 - Then align them with the center buckle, the buckle can lock automatically. A “click” will sound. Repeat on the opposite side.

! CHECK the waist belt buckles are securely locked in the center buckle by pulling on the straps.

- 4 - Fit the harness snugly to your child by pulling the adjustment straps to tighten (1). Then pull the waist adjustment straps out (2).

! USE THE HARNESS AT ALL TIMES.

Shoulder Harness Position

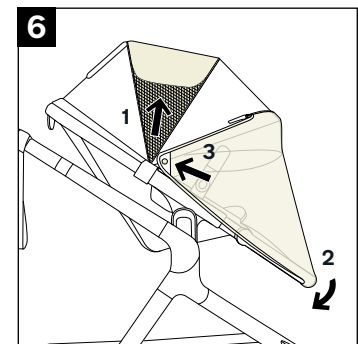
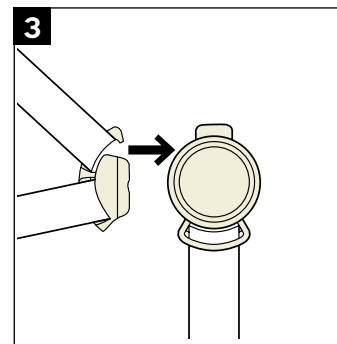
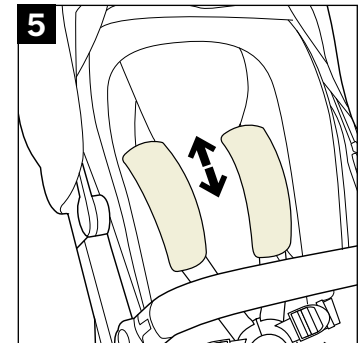
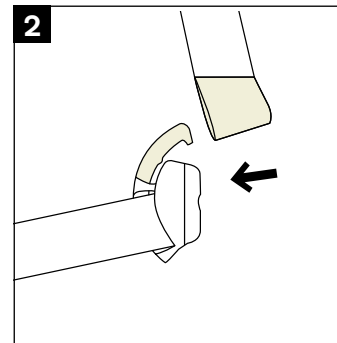
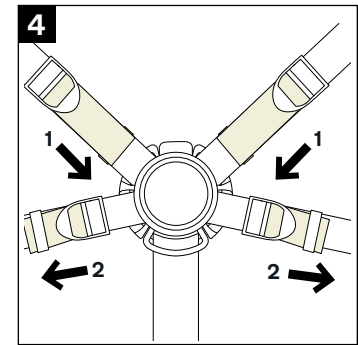
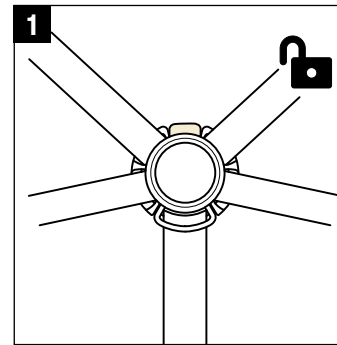
- 5 - The upper shoulder harness pads can be moved up and down for added adjustment.

Canopy

To open the canopy, pull the canopy toward the front of the seat, and to fold, push it back.

Open the zipper on the canopy, then pull down the airy mesh drape for full coverage and privacy.

- 6 - Operate and use airy mesh drape shown as figure.



Handle

The handle has 4 positions.

- 1 - To adjust the height of the handle, press the handle adjustment button (1) and pull the handle up or down (2).

Tether Strap

- 2 - Use the tether strap to prevent the stroller inadvertently rolling away. Check that when your hand is through the loop, it allows you to easily control the stroller.

Calf Support

The calf support has 2 use positions.

- 3 - To raise the calf support, lift up. To lower the calf support, press the adjustment button in the middle of the calf support (1), and push down (2).

Recline

There are 4 recline positions for the backrest.

- 4 - To raise or lower the backrest, squeeze the recline adjustment button, and pull the seat up or down.

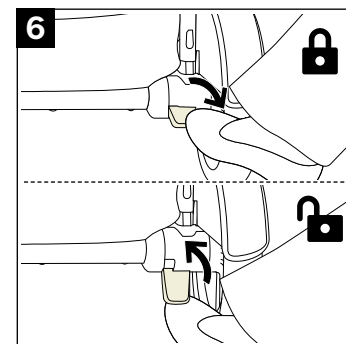
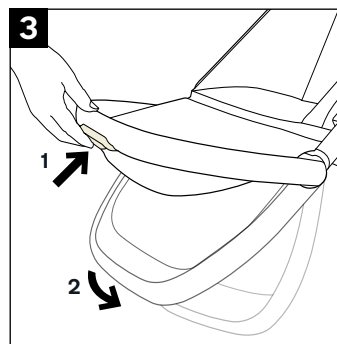
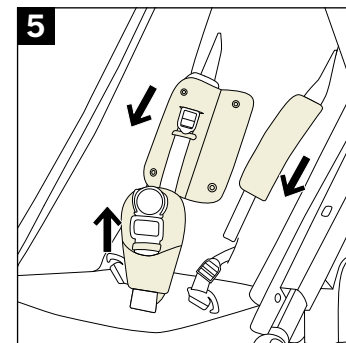
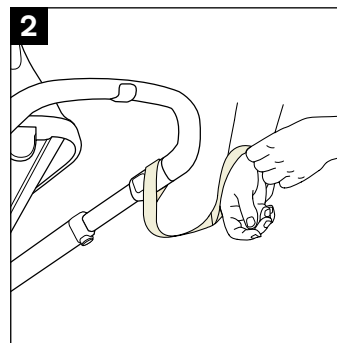
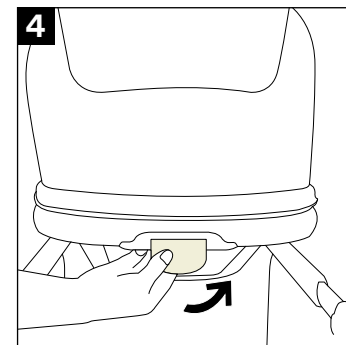
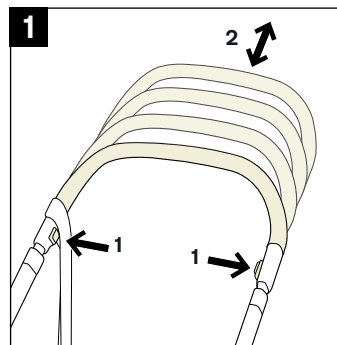
Insert

- 5 - To assemble the insert, place the insert over the seat and thread the shoulder, waist and crotch harnesses through their respective slots.

Brake

- 6 - To lock the rear wheels, step down on the brake lever. To unlock the rear wheels, lift up on the brake lever.

! Always apply the brake when the stroller is stopped.
Push the stroller slightly to ensure the brake is engaged.

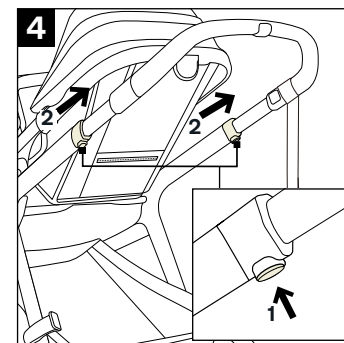
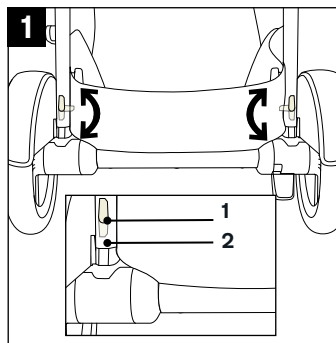


Custom Dual Suspension™

The stroller has two suspension modes. Make sure there is no weight placed on the stroller when you are adjusting the rear suspension and that both levers are in the same position.

- 1 - Flip the adjustment lever up (1) when on rough terrain for a softer suspension and flip the adjustment levers down (2) when on smooth surfaces for a stiffer suspension.

When using as a double or twin, it is recommended to flip the adjustment levers down.



Front Swivel Locks

It is recommended to use the front swivel locks on uneven surfaces.

- 2 - Push the front swivel lock down to lock the front wheel. Pull the front swivel lock up to unlock the front wheel.

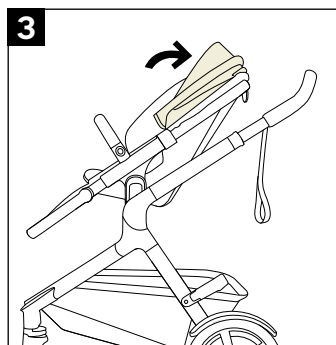
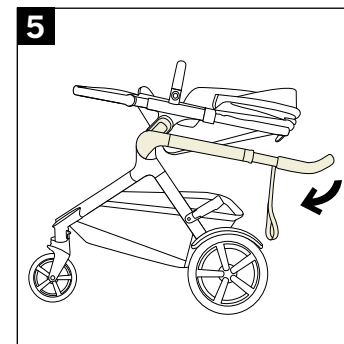
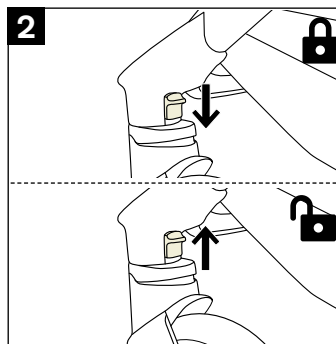
Fold

Before folding the stroller, adjust the handle to the third highest position and make sure the front swivel locks are unlocked.

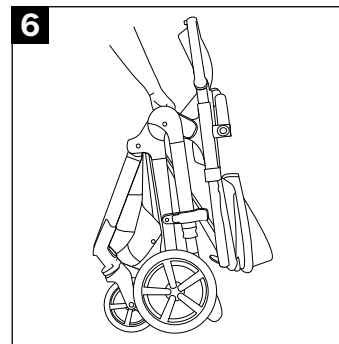
The stroller can be folded with the stroller/sibling seat facing forward or without the stroller/sibling seat.

If folding with the seat, place the seat in the most reclined position for a more compact fold.

- 3 - Fold the canopy.
- 4 - Press the secondary lock and pull up the folding button.
- 5 - Rotate the handle down and make sure the storage latch is closed on the stroller frame.

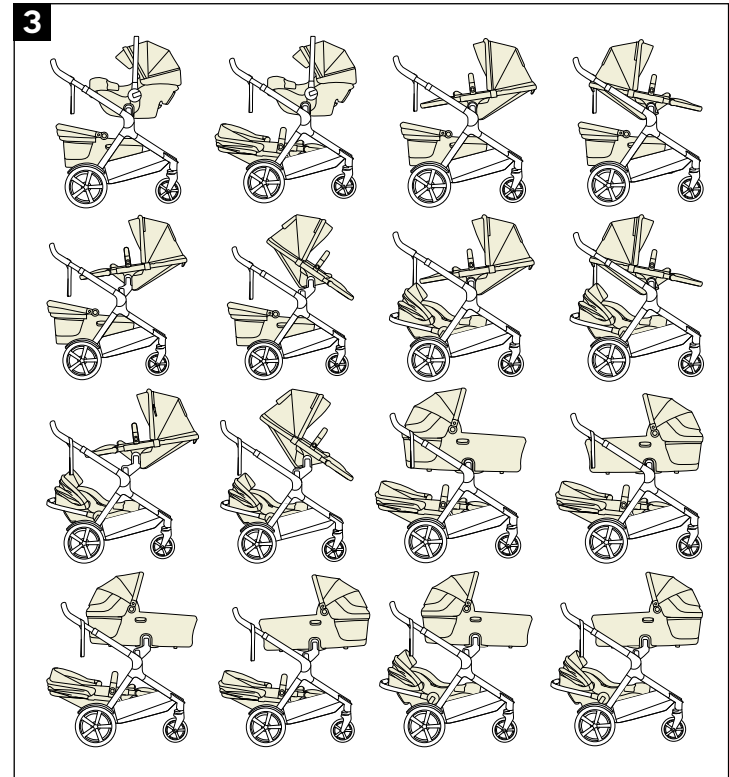
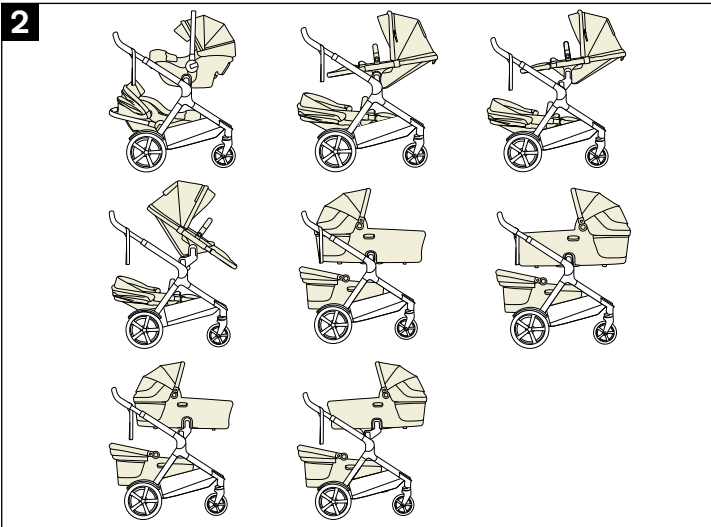
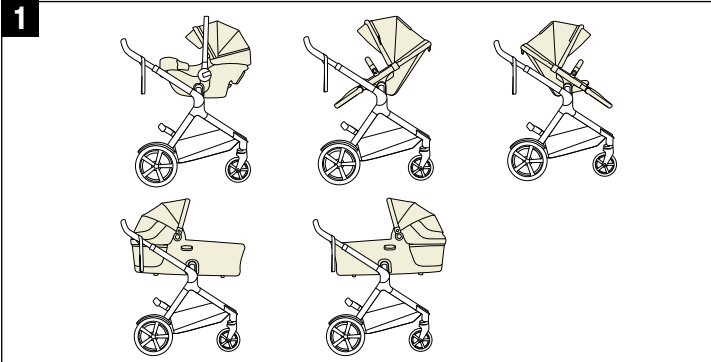


- 6** - You can carry the stroller with ease by lifting the carry handle.
- !** Ensure the storage latch is engaged when lifting or carrying the stroller.



Seating Options

The DEMI next stroller frame can be used with the infant carrier (using included adapters), bassinet and stroller/sibling seat in the following combinations. Single (1), twin (2), double (3) mode.



Seating Option Use

When using the stroller frame with the stroller/sibling seat, bassinet or infant carrier, close the canopy when the stroller/sibling seat, bassinet or infant carrier is assembled on the lower mount.

- ! NOT all accessories are included on some models and not all modes are allowed.
- 1 - DO NOT use the stroller frame with the sibling seat, bassinet or infant carrier shown as figure.
- 2 - DO NOT adjust the backrest of the stroller/sibling seat up, when it is assembled on the lower mount and the bassinet is assembled on the upper mount.

Accessories

- ! NOT all accessories are included on some models.

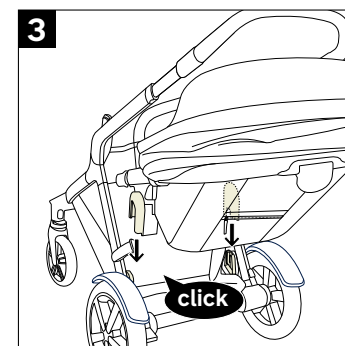
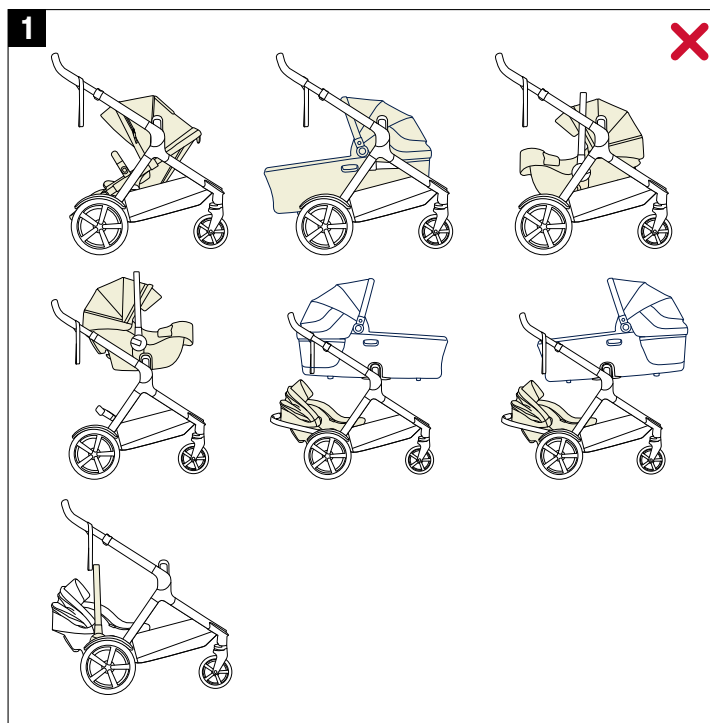
DEMI™ next Stroller/Sibling seat

When installing the sibling seat in the lower mount, fold the canopy, adjust the calf support to its highest position, and fold the stroller basket rear panel forward.

- 3 - To attach sibling seat, align the sides of the sibling seat with the seat mounts.

Place the sibling seat directly down until it clicks into place. A “click” sound means the sibling seat is attached.

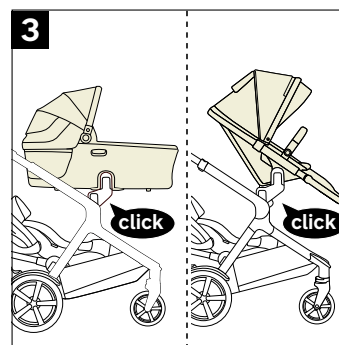
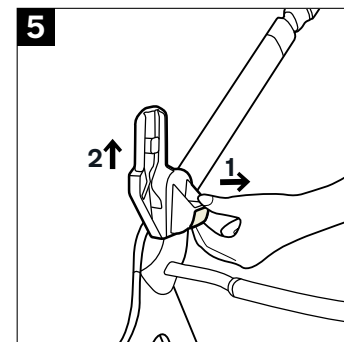
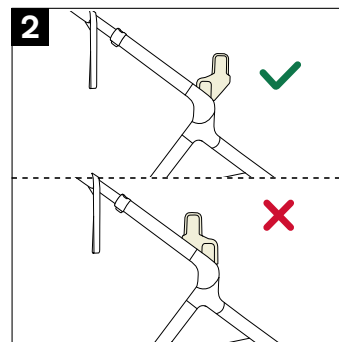
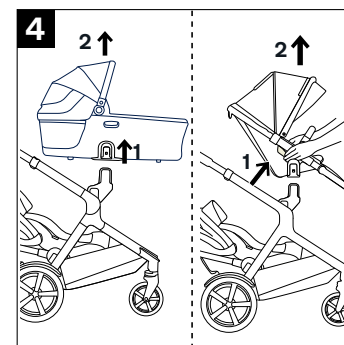
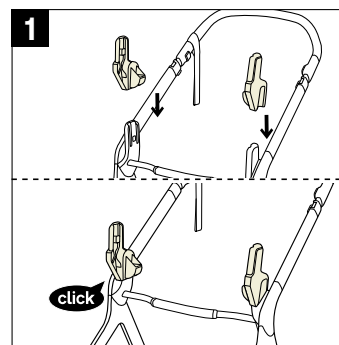
- ! Remove the sibling seat from the lower mount before folding the stroller.



Seat & Bassinet Post Adapters

For DEMI next bassinet assembly and usage, please refer to the bassinet instruction manual.

- ! Only assemble the seat & bassinet post adapters on the upper mount.
 - ! Please use seat & bassinet post adapters on upper mount when using the upper mount and lower mount simultaneously and both with front facing mode.
- 1 - To attach seat & bassinet post adapters, place them onto mounts. A “click” sound means the seat & bassinet post adapters are locked.
 - 2 - The correct use of seat & bassinet post adapters are shown as figure.
 - 3 - To attach stroller/sibling seat/bassinet to the seat & bassinet post adapters, place stroller/sibling seat/bassinet onto seat & bassinet post adapters, A “click” sound means the stroller/sibling seat/bassinet is locked.
 - ! Please do not use stroller/sibling seat/bassinet on the upper seat when the seat back of lower seat is in vertical position.
 - 4 - To remove the stroller/sibling seat/bassinet, press the release buttons and lift up.
 - 5 - To remove seat & bassinet post adapters, lift the seat & bassinet post adapters upwards while pulling the release buttons.
 - ! Remove the seat & bassinet before folding.



Infant Carrier Post Adapters

For KLIK plus infant carrier assembly and usage, please refer to the infant carrier instruction manual.

When installing the infant carrier in the lower mount, fold the canopy.

1 - The angle of infant carrier can be adjusted for a more upright seating position with our adjustable adapters by pressing the button **(1)** then rotate **(2)**.

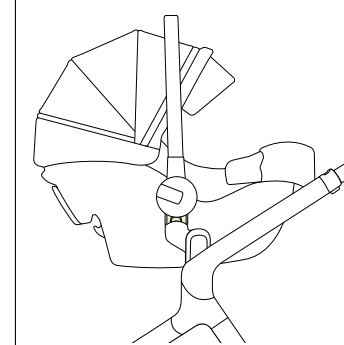
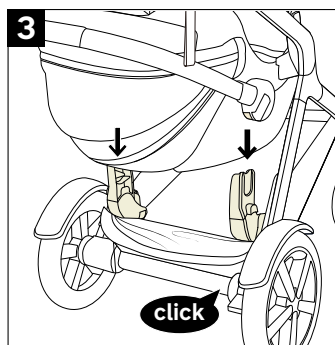
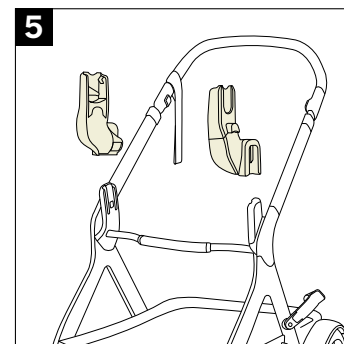
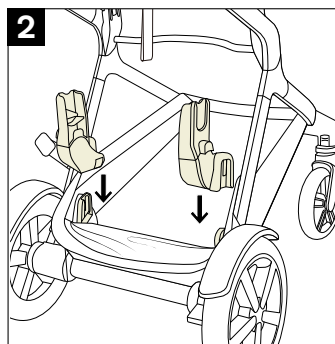
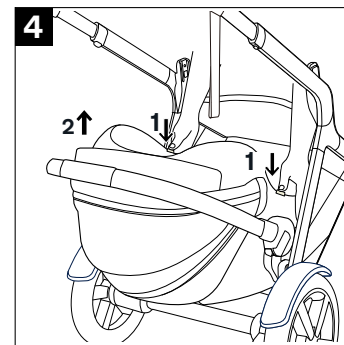
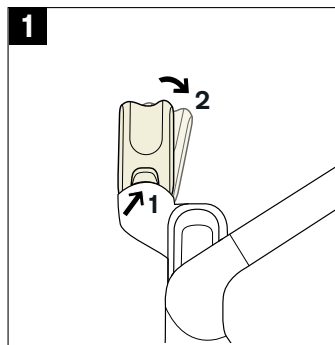
! It is recommended to use the default angle of the post adapter to allow the infant carrier to be positioned in the most reclined angle on the stroller. This reclined angle should be used until the infant has reached approximately 10 months of age, when their head and neck control are stable and they can sit up independently without support.

2 - To attach the post adapters, place the post adapters on the seat mounts. A “click” sound means the post adapters are attached.

3 - To attach the infant carrier, place the infant carrier on the post adapters. A “click” sound means the infant carrier is attached.

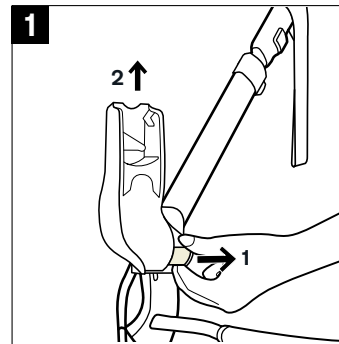
4 - To remove the infant carrier, push the release buttons on the infant carrier **(1)** and lift up **(2)**.

5 - The post adapters only can be attached rear facing in the upper mount.



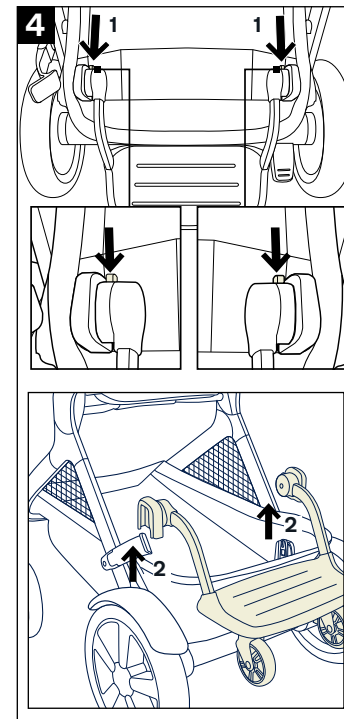
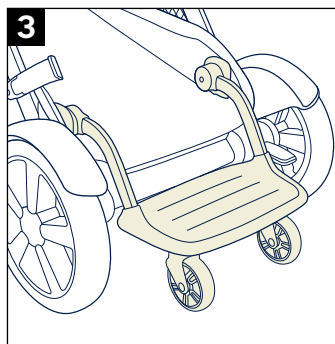
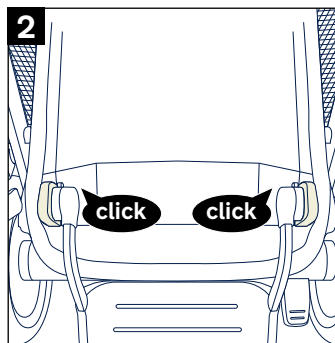
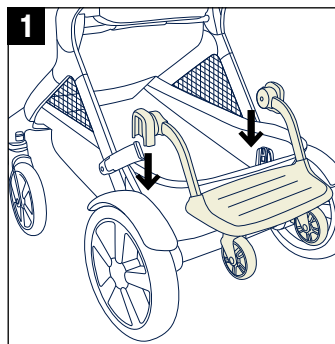
1 - To remove the post adapters, lift the post adapters upwards **(1)** while pulling the release buttons **(2)**.

! Remove the infant carrier before folding.



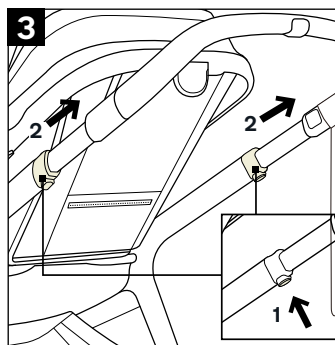
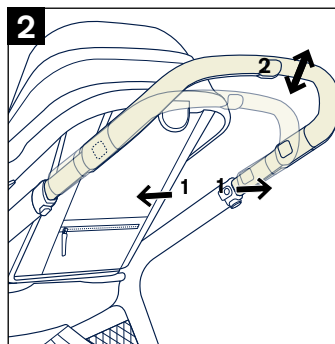
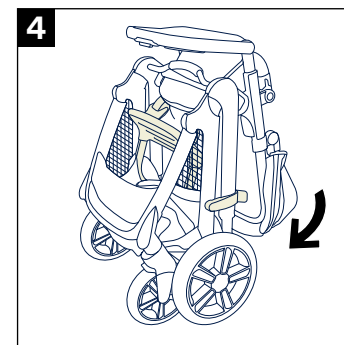
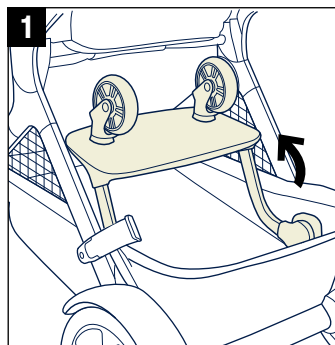
DEMI next Rider Board

- 1** - To attach DEMI next rider board, align the sides of the DEMI next rider board with the seat mounts.
- 2** - Place the DEMI next rider board directly down until it clicks into place.
 - ! A “click” sound means the DEMI next rider board is attached.
- 3** - The completely assembled DEMI next rider board is shown as **(3)**.
- 4** - To remove the DEMI next rider board, press the DEMI next rider board release buttons **(1)** and lift up **(2)**.
 - ! Rider board is suitable for use with children who can stand and hold onto stroller without assistance.



The stroller can be folded with the DEMI next rider board.

- 1 - Rotate the DEMI next rider board into storage basket.
- 2 - Adjust the handle to the 3rd highest position and make sure the front swivel locks are unlocked.
- 3 - Press the secondary lock and pull up the folding button.
- 4 - Rotate the handle down and make sure the storage latch is closed on the stroller frame.



DEMI™ next Stroller/Sibling seat Rain Cover

Only use the rain cover on the stroller/sibling seat in the upper mount.

- 1 - To assemble the rain cover, place it over the stroller/sibling seat.



Cleaning and Maintenance

Clean the frame, plastic parts, and fabric with a damp cloth, but do not use abrasives or bleach. Do not use silicon lubricants as they will attract dirt and grime. Do not store your stroller in a damp place.

Floor cleaning products and finishes may interact with stroller wheels. To avoid this, do not leave your stroller on wood floors. Place a barrier like a rug, mat, or cardboard under the stroller.

Clean the stroller wheels regularly with water and remove any dirt.

To ensure long-lasting use, wipe off this product with a soft, absorbent cloth after using it in rainy weather.

Refer to the care label attached to the fabric for washing and drying instructions.

It is normal for fabric to color from sunlight and to show wear and tear after a long period of use, even when used normally.

For reasons of safety, only use original Nuna parts.

Check regularly if everything functions properly. If any parts are torn, broken, or missing, stop using this product.

IM-001917E

The Nuna logo is a stylized, white, lowercase 'nuna' with a registered trademark symbol (®) to its upper right. The letters are rounded and connected, giving it a modern, clean appearance.

nuna®

Find out more at nunababy.com